

THOMAS A. EDISON.
Improvement in Printing-Telegraphs.
No. 126,531.

Patented May 7, 1872.

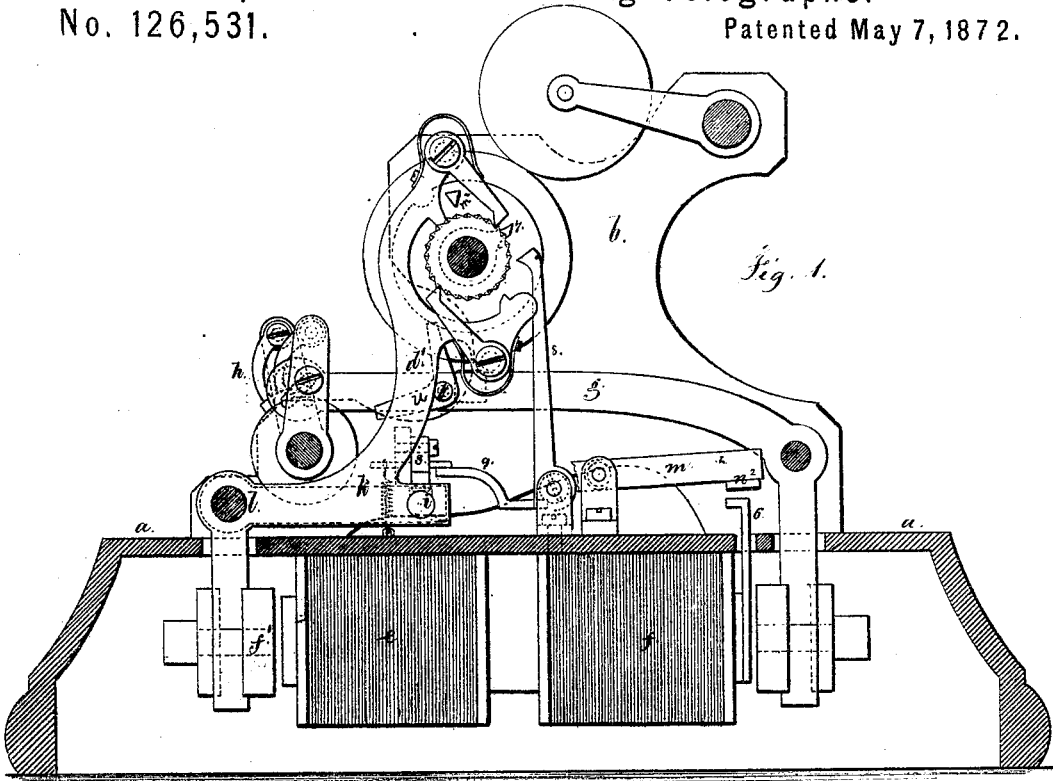


Fig. 1.

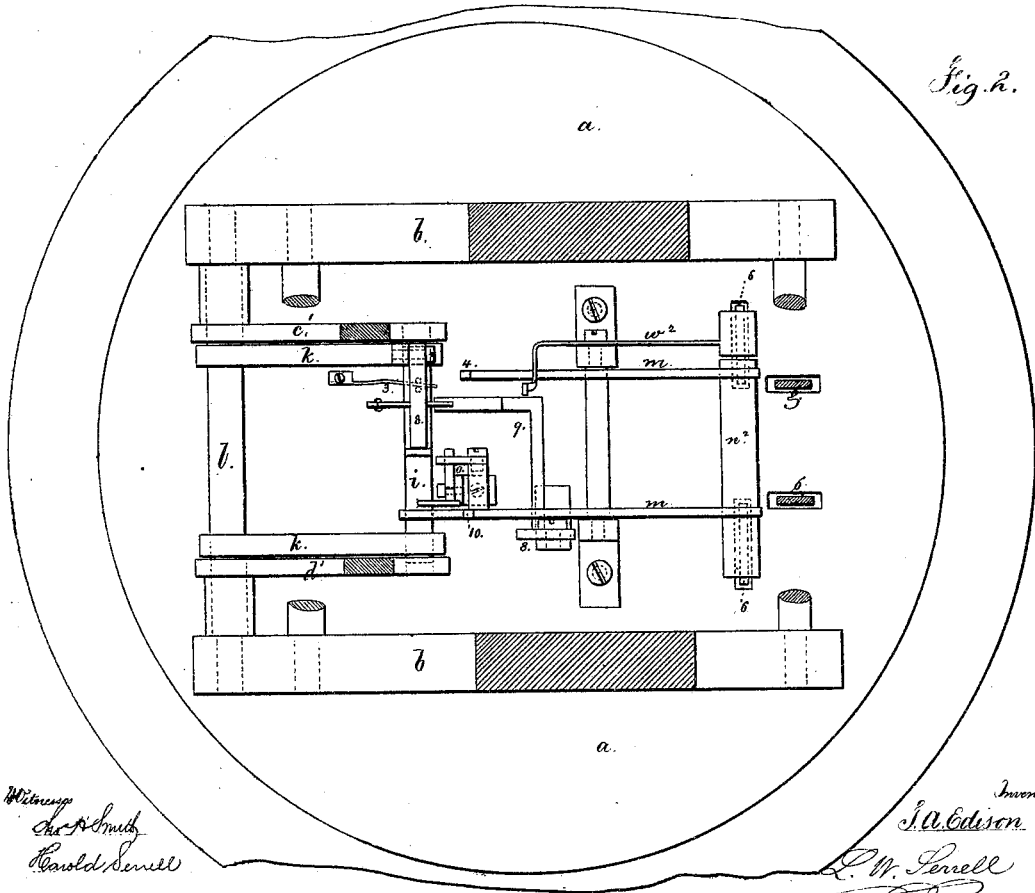


Fig. 2.

Witness
Geo. Smith
Charles Sewell

Inventor
T. A. Edison
R. W. Fenell atty

THOMAS A. EDISON.
 Improvement in Printing-Telegraphs.
 No. 126,531.

2 Sheets--Sheet 2.

Patented May 7, 1872.

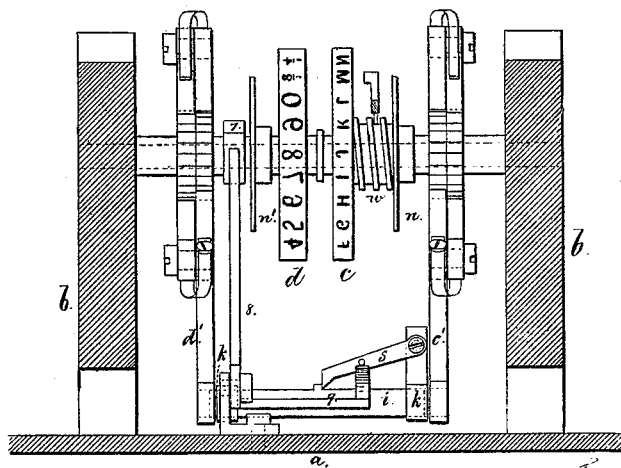


Fig. 3.

Fig. 5.

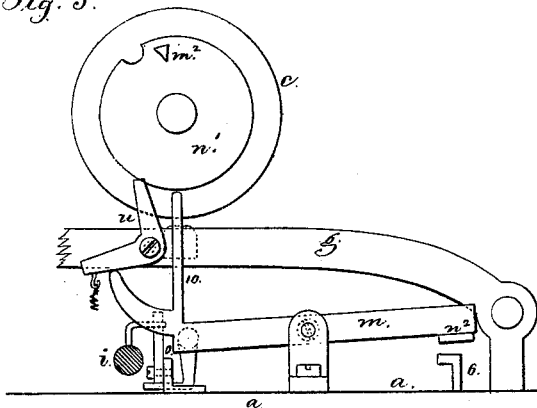
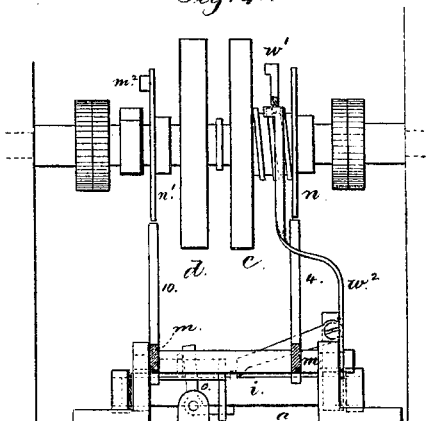


Fig. 4.



Witnesses,

Chas. H. Smith
 Harold Snell

Inventor

Thos. A. Edison
 L. M. Serrell

atly

UNITED STATES PATENT OFFICE.

THOMAS A. EDISON, OF NEWARK, NEW JERSEY, ASSIGNOR TO GOLD AND STOCK TELEGRAPH COMPANY, OF NEW YORK CITY.

IMPROVEMENT IN PRINTING-TELEGRAPHS.

Specification forming part of Letters Patent No. 126,531, dated May 7, 1872.

To all whom it may concern:

Be it known that I, THOMAS A. EDISON, of Newark, in the county of Essex and State of New Jersey, have invented and made an Improvement in Printing-Telegraphs, and the following is declared to be a correct description of the same.

This invention relates to mechanism operated by the printing-lever or magnet for moving a bolt that connects the type-wheel lever with one of two levers that give motion to one of two type-wheels by a step-by-step motion. In my present improvement a lever is acted upon by lateral cores from the printing-magnet, and this moves a bolt endwise, and the same is held by a latch. This movement can only be given at the time both type-wheels are at the zero or unison-points. The type-wheel that is locked by the bolt is revolved, and, as it moves the last step, in completing the revolution, the latch is unlocked, and the bolt drawn by a spring to unlock the connection to one type-wheel and lock the lever to the other type-wheel, and that can be operated and impressions taken therefrom until the printing electro-magnet is charged at the zero-point of both type-wheels, when the said bolt is shifted to lock the other type-wheel.

In the drawing, Figure 1 is a section vertically of the machine. Fig. 2 is a sectional plan with the type-wheels removed. Fig. 3 is an elevation of the type-wheels, levers, locking-bolt, and latch. Fig. 4 shows the screw-unison for the type-wheel and the levers thereof; and Fig. 5 is a side view of the bolt-actuating lever.

The bed *a*, frames *b*, type-wheels *c d*, type-wheel magnet *e*, impression-magnet *f*, printing-lever *g*, paper-feeding clamps *h*, and roller are similar to devices shown in patents heretofore granted to me, with the exception that the type-wheels are separate from each other, and actuated by independent step-by-step movements; and I remark that this improvement may be used with one line-wire and a polarized switch be employed to direct the current into either of the electro-magnets. The armature *f'* and its lever *k* swing on the fulcrum *l*, and so also do the levers *c' d'*, and between these and their respective type-wheel shafts or sleeves are the usual ratchet-wheels,

pawls, and stops, forming step-by-step movements, to rotate the type-wheel. These may be of any desired character. I make use of a bolt, *i*, sliding in the lever *k*, and connecting either the lever *c'* or the lever *d'* to said lever *k*, and hence moving whichever lever is so connected, and also the type-wheel with which it is employed. The spring 3 moves the bolt *i* into the lever *c'*, except when otherwise acted upon. Hence the letter-wheel *c* will be operated in the usual manner, and must be brought to a zero or blank before the bolt can be unlocked from *c'* and bolted into *d'*. To insure this, the disk *n* is employed, with one notch in it, into which the arm 4 of the lever *m* can pass; but, at other times, this lever *m* will be kept from moving by the arm 4 taking the edge of the disk *n*. The lever *m* is actuated by an armature, *n²*, contiguous to lateral poles 6 from the printing-magnet *f*. When this lever *m* is allowed to move, it acts upon the right-angle lever *o*, and slides the bolt *i*, drawing one end out of the lever *c'*, and entering the other end into the lever *d'*, and in this position it is held by a latch, *s*. The other type-wheel, which is the figure or character-wheel *d*, is now locked, and can be moved step by step. Upon the sleeve of this type-wheel *d* is a cam, 7, that, as the type-wheel is moved its last step to the zero-point, acts upon the lever 8 and its arm 9 to lift the latch *s* and allow the spring 3 to throw the bolt *i* the other way. The cam 7 then clears the end of 8. Hence, if the printing-magnet is charged at this time, the levers *m* and *o* will again throw the bolt into *d'*, but otherwise the letter-wheel *c* will be rotated. When the type-wheel *d* is being rotated the lever *m* will not be fully moved when the printing-lever is being moved by its magnet, because the end of the arm 10 will take against the edge of the disk *n¹*, and this disk *n¹* is notched, and the notch comes opposite this arm 10 when the type-wheel is at the zero-point. The bent lever *u* upon the printing-lever *g* is moved by the lever *m*, and thrown into the path of the stud *m²* upon *n¹*, and this is located so as to be moved by that stud as soon as the type-wheel *d* is moved. Thereby the lever *m'* will be moved downward, and the arms 4 10 freed from the notches in *n n¹* even if the armature should be attracted by any

lingering magnetism in the electro-magnet *f*. The screw *w* on the type-wheel shaft, stop-lever *w*¹, and relieving-lever *w*², actuated by the lateral core of the electro-magnet *f*, are substantially the same as the parts shown in an application heretofore made by me for a patent, and allowed.

I claim as my invention—

1. The lever *m* and armature *n*², contiguous to the lateral poles 6 of the printing-magnet, for actuating the bolt *i*, in combination with the arm 4 and disk *n*, substantially as set forth.

2. The disconnecting-lever 8, operated by the cam 7, in combination with the lever *m*, armature *n*², the latch *s*, bolt *i*, and levers for the respective type-wheels, the parts being arranged and acting substantially as set forth.

3. The bent-lever *u* on the printing-lever, in combination with the stop *m*², lever *m*, and armature *n*², substantially as set forth.

Signed by me this 17th day of January, A. D. 1872.

Witnesses:

GEO. T. PINCKNEY,
CHAS. H. SMITH.

T. A. EDISON.